

PRODUCTION

B

C

2023/08/29

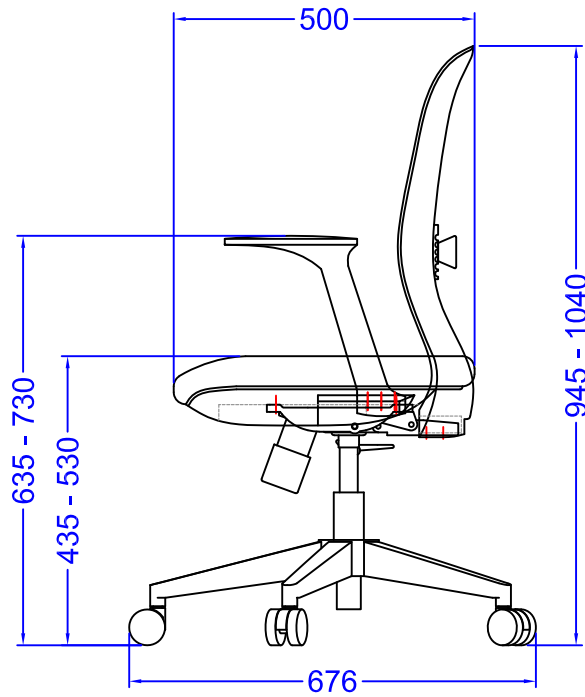
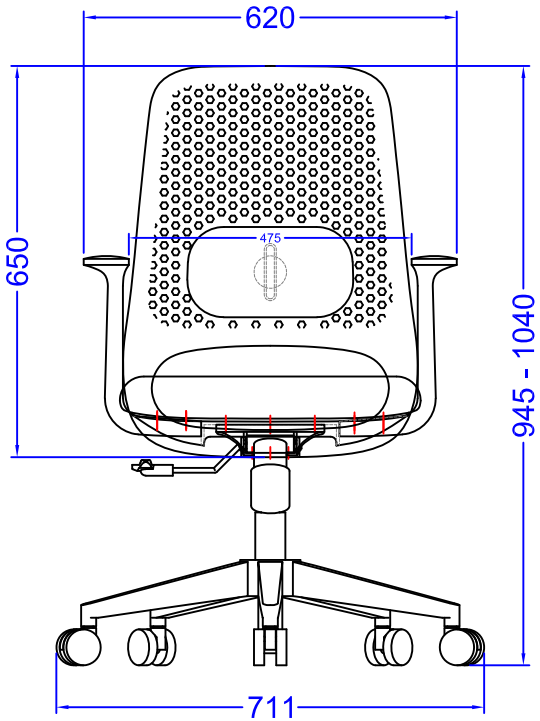
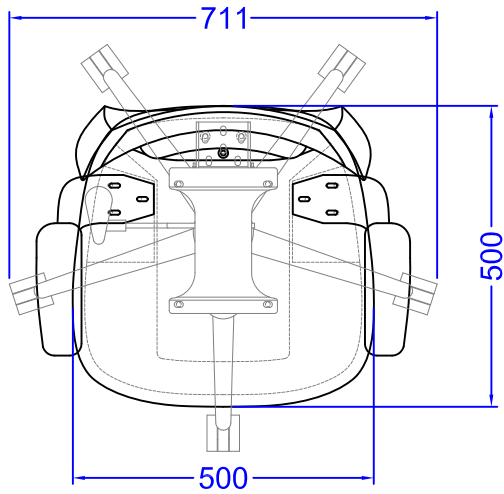
D

A

B

C

D



Seat Size : 500 × 500

△				
△				
△				
△				



Office\_Chair

OC-300


John Yamagata	John Yamagata
Drafting	Designing
	Check

AKIRA CO.,LTD.

Drawing Number

1

2

3

4

5

6